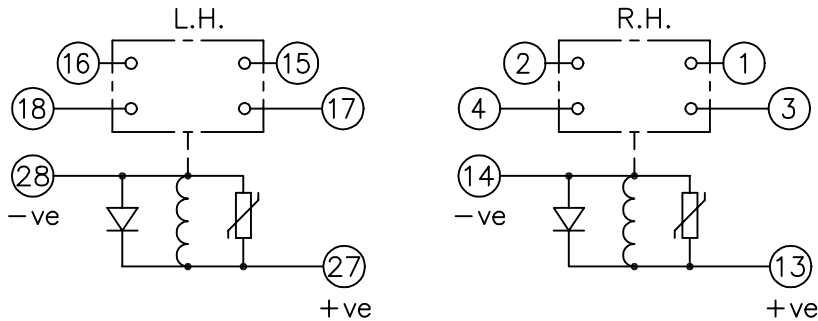


LOOKING ON FRONT OF RELAY

2112W50065



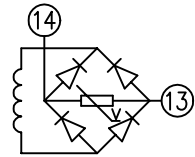
**NOT SUBJECT TO UPDATE
ONCE COPIED / PRINTED
OR DOWNLOADED**

KEY

- make contact
- break contact
- c/o contact
- ext. conn
- plug bridge - shorting
- metering point
- 5Kv barrier
- test socket - shorting
- plug & socket

CONTACT CONFIG.	OUTPUT CONTACT PAIR / TERMINAL No.					
R.H. →	1-3	2-4	5-7	6-8	9-11	10-12
L.H. →	15-17	16-18	19-21	20-22	23-25	24-26
2M	M	M				
1M 1B	M	B				
2B	B	B				

NOTE: WHEN RECTIFIER IS SPECIFIED COIL CONNS. ARE AS SHOWN.



FRAME REFERENCE: E4FS05.

FRAME TERMINAL BLOCK ASSY: -

ASSEMBLY INSTRUCTIONS: -
TYPICAL ASSEMBLY DRAWING 2995G10032.
AT INDICATED POSITIONS FIT AS FOLLOWS:
T - FIT TRIP ISOLATION CONTACT 2995B10053
S - FIT STANDARD CONTACT 2995B10054
SECURE CONTACTS USING FIXING SCREW 2109F99009.
POSITIONS SHOWN BLANK ARE UNUSED

2	T	T	1
4	T	T	3
6			5
8			7
10			9
12			11
14	S	S	13
16	T	T	15
18	T	T	17
20			19
22			21
24			23
26			25
28	S	S	27

VIEW FROM NUMBERED SIDE OF BLOCK

OUTER TERMINAL BLOCK ASSY: -

ASSEMBLY INSTRUCTIONS: -
TYPICAL ASSEMBLY DRAWING 2995G10029.
AT INDICATED POSITIONS FIT AS FOLLOWS:
S - FIT STANDARD CONTACT 2995B10051
HC - FIT 'HEAVY CURRENT' KIT 2995G10030
WHERE IS SHOWN FIT CT SHORTING KIT 2995G10031
POSITIONS SHOWN BLANK ARE UNUSED.
ALL POSITIONS FIT SCREW 2106F12506.

2	S	S	1
4	S	S	3
6			5
8			7
10			9
12			11
14	S	S	13
16	S	S	15
18	S	S	17
20			19
22			21
24			23
26			25
28	S	S	27

VIEW FROM INSIDE FACE

2	27/04/00	MN995/09	Title: T.B. AND W.D. FOR AR2-1D/2-2D 2 CONT. RELAYS IN EPSILON E4 CASE.		First used on:
			Reyrolle Protection Hebburn.		Similar Articles:
ISSUE	DATE	MOD.No.	Original Scale:	Drg.No. 2112W50065	
DRAWN: A.LAW.		CHECKED:	APPROVED: R.D.WATSON	DATE: 17/07/02	Copyright © 1999 Reyrolle Ltd